



## **um31-UWB Module Adapter Board**

### **DW-DECK Datasheet**

Version 2.0 (2023.01.01)

## 目 录

<b>1. UWB Module adapter board DW-DECK.....</b>	<b>4</b>
1.1 Overview.....	4
<b>2 Module adapter board schematic .....</b>	<b>5</b>
2.1 Adapter board schematic.....	5
2.2 Adapter board interface definition .....	5
2.3 Adapter board connected to MCU .....	6
<b>3 BOM .....</b>	<b>6</b>
<b>4 Ordering .....</b>	<b>7</b>
<b>5 Document Management Information Sheet.....</b>	<b>8</b>

**DISCLAIMER**

YCHIOT has the right to update the product description without informing the customer. Changes in functions and specifications will be published in product errata or new versions of documents as much as possible. It is recommended that customers login to YCHIOT official website [www.ychiot.com](http://www.ychiot.com) to download the latest product description documents.

**LIFE SUPPORT POLICY**

YCHIOT products are not authorized to be used in high safety areas (such as places where there is danger to life), because serious personal injury or death may be caused if the products are operated incorrectly. If a customer uses or sells YCHIOT products to high security areas, the customer needs to bear all the responsibilities; If this product is used in the field of high security, the customer needs to agree that YCHIOT and its agents are completely irresponsible.



Note! Electrostatic sensitive equipment. When using the product, take precautions to prevent permanent damage.

**REGULATORY CERTIFICATION**

All users who use this module for product development must obtain the approval of the local radio supervision and management department before marketing or selling the product, and the customer must assume all responsibilities for obtaining the approval from the relevant authorities.

# 1. UWB Module adapter board DW-DECK

## 1.1 Overview

The function of the DW-DECK is designed to provide pin transfer function for the DWM1000 series module, the DWM3220 series module, the MAX2001 series module, and the MAX5007 series module, and lead the key pins of IRQ, RST, SPI and other modules to the 2.54mm pitch pins to facilitate debugging and use by developers.

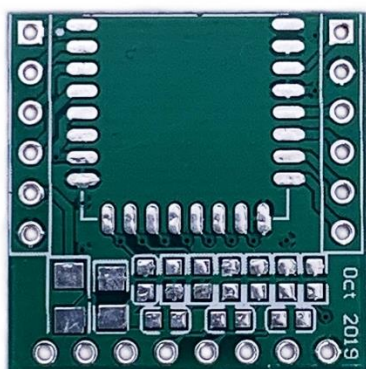


Figure 1.1 Physical diagram of the front of the module adapter board (not soldered)

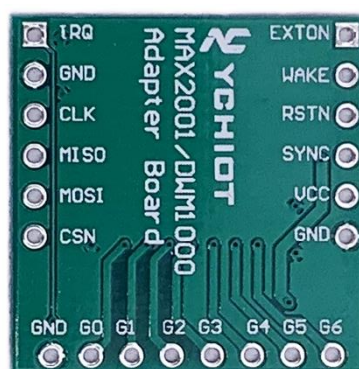


Figure 1.2 Physical diagram of the back of the module adapter board (not soldered)

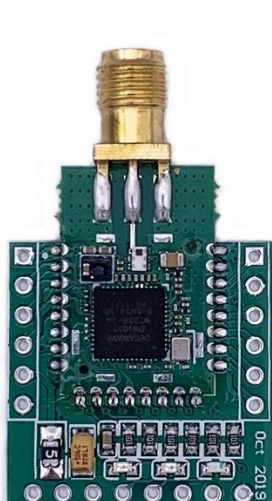


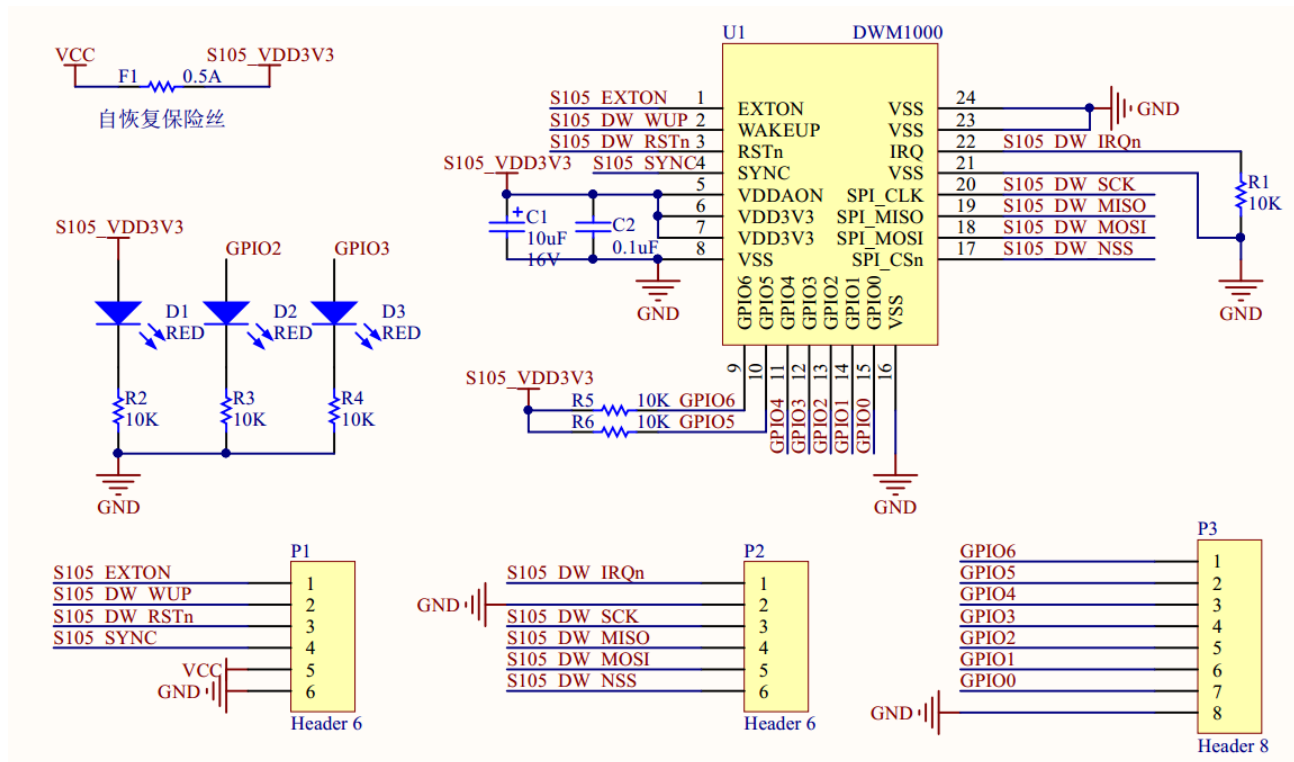
Figure 1.3 DWM1000-SMA welding on the adapter board



Figure 1.4 MAX2001-CA welding on the adapter board

## 2 Module adapter board schematic

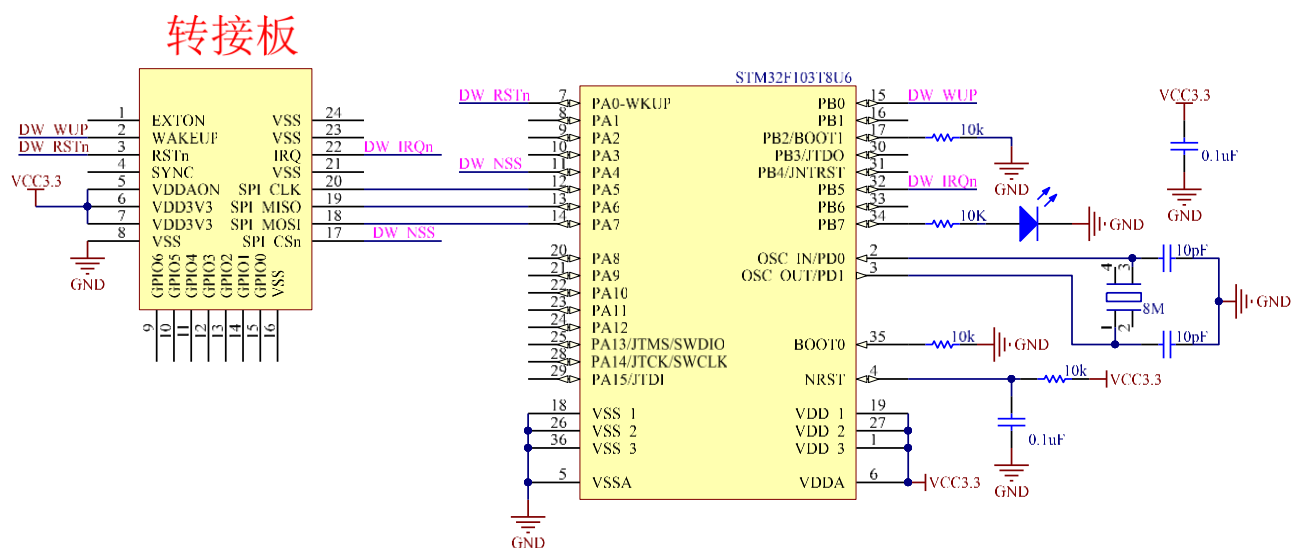
### 2.1 Adapter board schematic



### 2.2 Adapter board interface definition

Pin	Description	Notes
VCC	Power Supply	Must be connected
GND	Ground	Must be connected
IRQ	Interrupt Request output	Must be connected
CLK	SPI Clock	Must be connected
MISO / MOSI	SPI	Must be connected
CSN	SPI chips select	Must be connected
GPIO0~6	DW1000 General IO	Optional
SYNC	Synchronization Pin	Optional
RSTN	Reset Pin	Must be connected
WAKEUP	Wake Up Pin	Must be connected
EXTON	External device enable	Optional

### 2.3 Adapter board connected to MCU



## 3 BOM

Designator	Description	Model	Brand	Footprint
C1	Capacitor	TAJA106M010RNJ	AVX	TAN-A
C2	Capacitor	CL10F104ZB8NNNC	SAMSUNG	0603
D1	LED	19-213/R6W-	EVERLIGHT	0603
D2,D3	LED	19-213/R6W-	EVERLIGHT	0603
F1	Fuse	SMD1206P012TF	RUILON	1206
P1,P2	Header			2.54
P3	Header			2.54
R1,R2,R3,R4	Resistor	0603WAF1002T5E	UNI-ROYAL	0603
R5,R6	Resistor	0603WAF1002T5E	UNI-ROYAL	0603

## 4 Ordering

Taobao order: [purchase address](#)

Business WeChat: 15606880772

Business DingTalk: 15606880772

Business QQ: 171932915

YCHIOT website: [www.ychiot.com](http://www.ychiot.com)



## 5 Document Management Information Sheet

Subject		YCHIOT UWB module adapter board datasheet
Version	V2.0	
Reference documents		
Creation time	2018/06/01	
Founder	Lynn	
Latest release date	2023/01/01	

Modifier	Date	Document change history
Lynn	2018-06-01	<u>V1.0</u> The first version released
Lynn	2023-01-01	<u>V2.0</u> Modified format to YCHIOT 2023 document vision